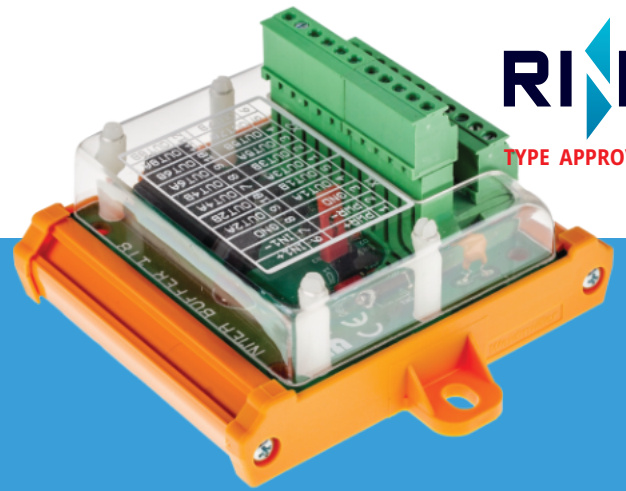


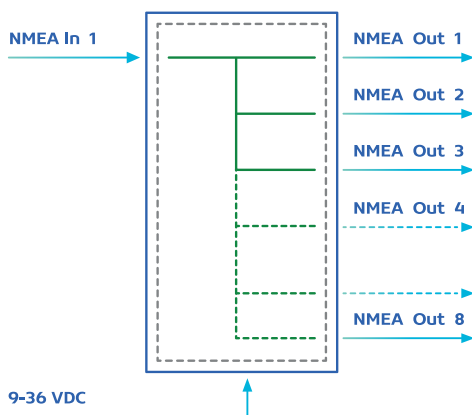
NMEA Buffer 1T8

Installation and User Manual



The NMEA Buffer is a specialized device that distributes NMEA or RS422 signals from a one transmitter to up to 8 listeners. It ensures galvanic isolation between the transmitted signal, power supply and listeners. Unit can operate with signal speed up to 230400 bps and power supply range from 9 to 36 VDC. The device can be mounted on DIN rail or on the wall.

Single Input Transmission Mode



Technical Data:

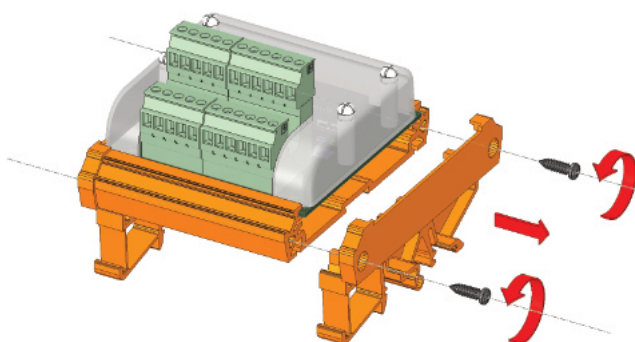
- Power Supply: 24 VDC (9 to 36VDC)
- Power consumption: max. 1,7 W at 24 VDC
- Galvanic isolation of power supply: 1,5 kVDC
- Galvanic isolation of signal input/output: up to 5 kV_{RMS}
- Short circuit output protection
- Reversed power supply polarity protection
- Over voltage power input protection (up to ±37 V)
- Number of inputs: 1
- Number of outputs: 8
- Input/output signal speed: Up to 230400 bps
- Connection: cables diameter up to 1,5 mm²
- Dimensions: DIN rail: L 72,5 mm x W 86,4 mm x H 72,0 mm
- Dimensions: Wall: L 96,5 mm x W 86,4 mm x H 49,0 mm
- Mounting: DIN Rail / Wall

Approvals:

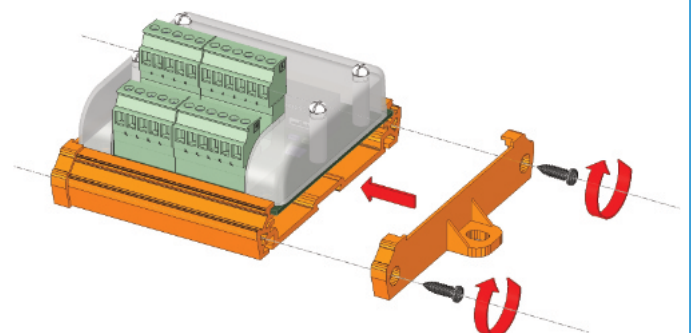
- RINA Type Approval Certificate
- IEC60954 - General Requirements for Marine Navigation Equipment

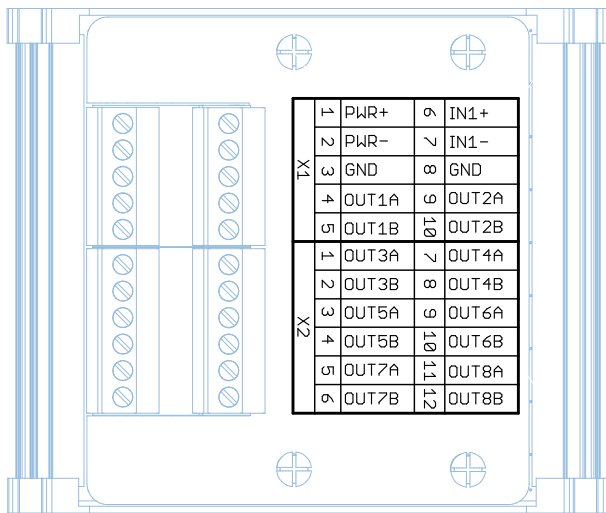
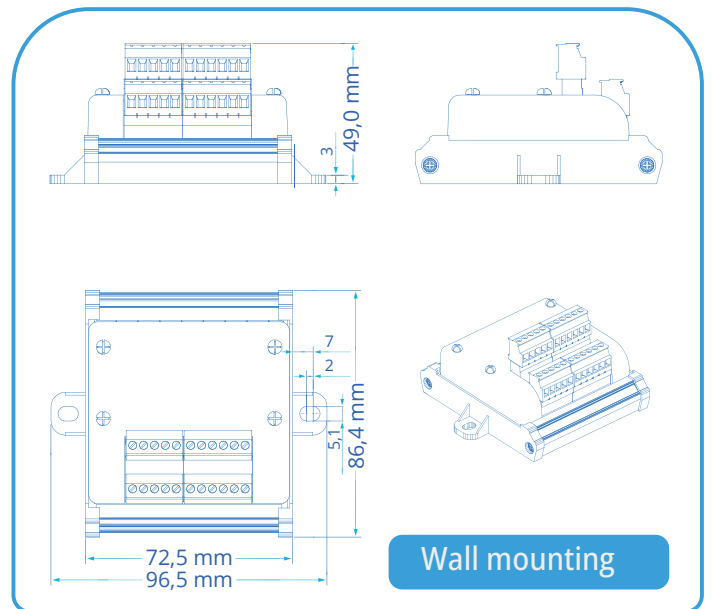
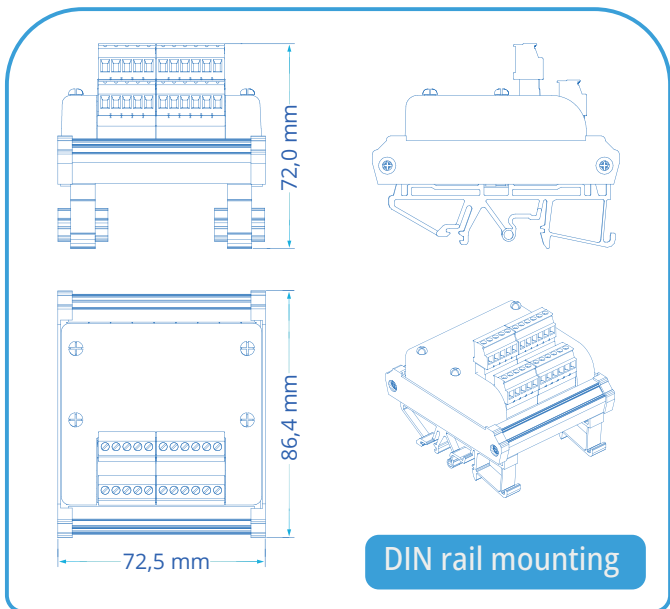
WALL MOUNTING

Unscrew two bolts on each side and remove end plates and clip-in feet.



Place end plates for wall mounting (included) and screw the bolts back.





Terminals:

- X1 - Power and Input Signals
Outputs 1-2
- X2 - Outputs 3-8

Jumpers:

- J1 - To be closed when weak input signal

LED:

- CR1 - POWER present - normally lit
- CR2 - Input signal present - normally blinking



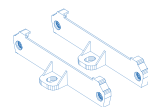
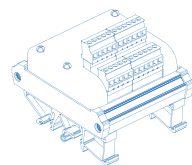
Safety warnings

Before installing the device, ensure that the power supply is switched off. Failure to do so may result in damage to the interface or other connected equipment.

Connecting the device to an incompatible power supply can cause overheating, leading to damage or fire hazards.

Familiarize yourself with all safety precautions, limitations, and operational guidelines to ensure proper and safe usage.

Set consists of:



Copyright Boolean Sp. z o.o. 2023

The latest products information and documents are available on: www.boolean.pl